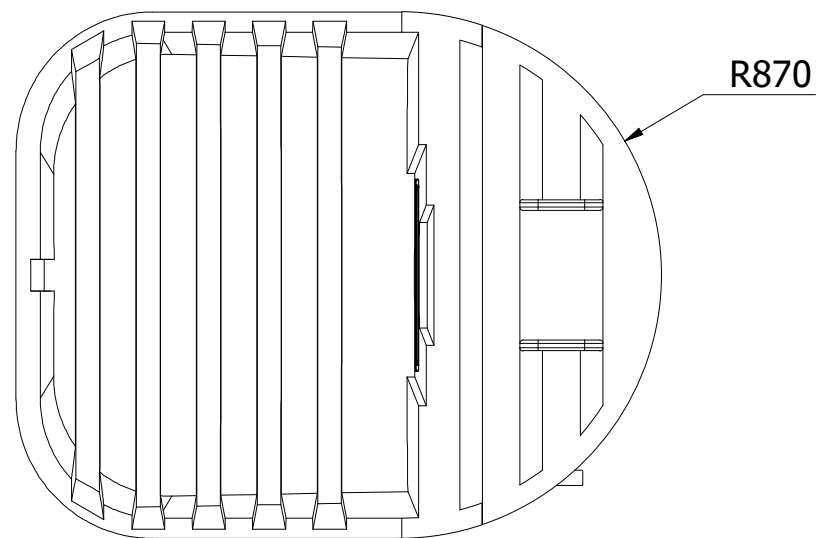
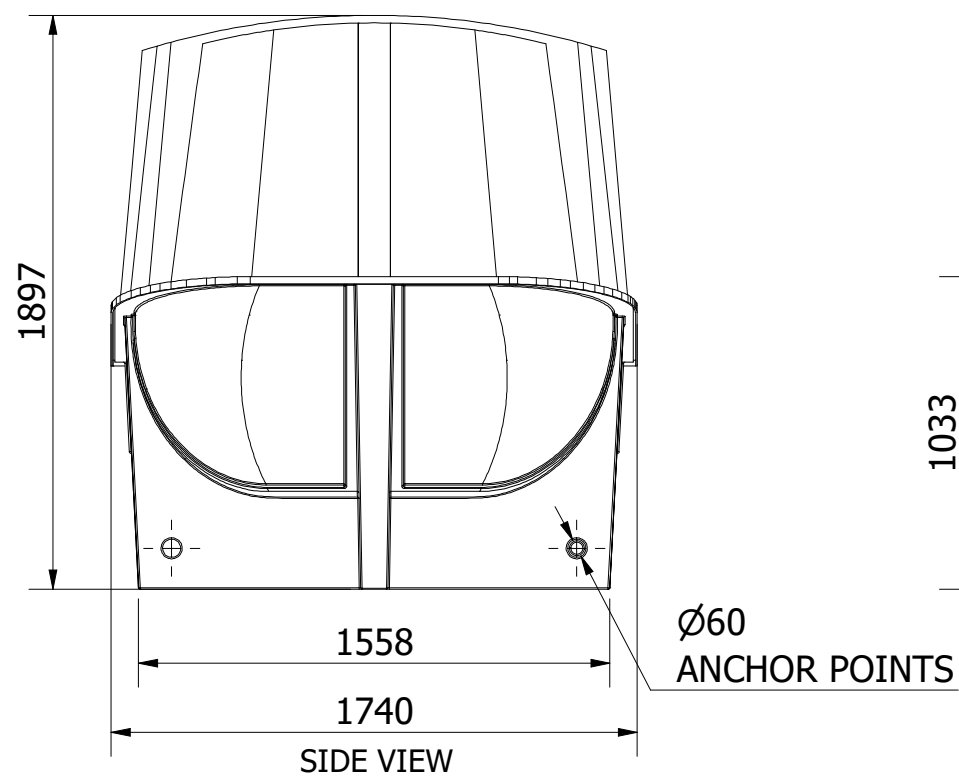


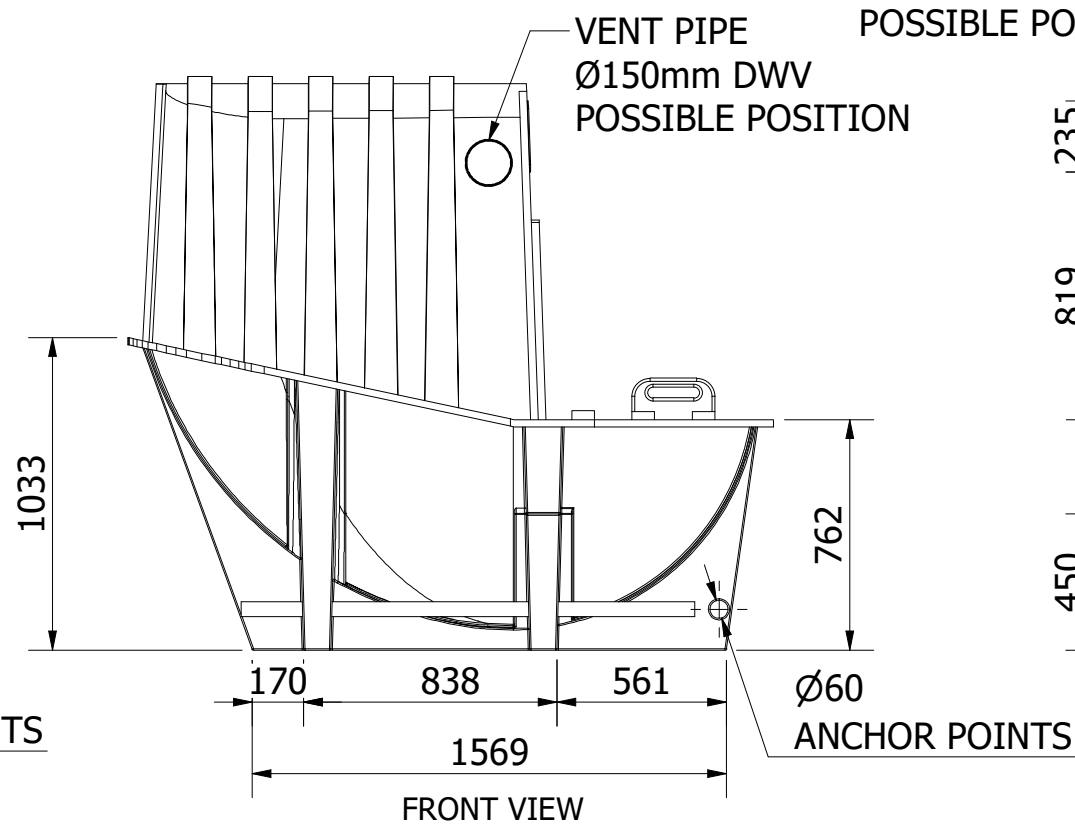
NOTE:
1. MANUFACTURING TOLERANCE $\pm 2\%$



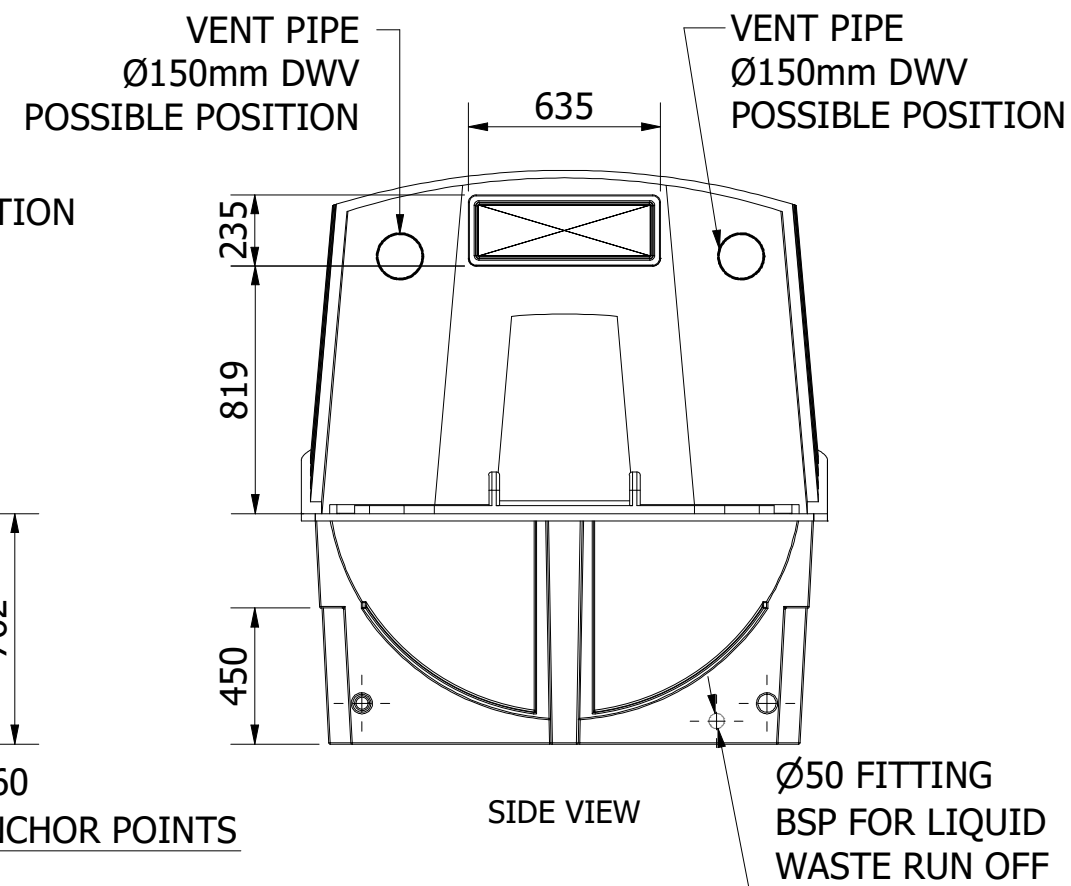
TOP VIEW



SIDE VIEW



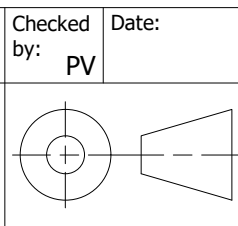
FRONT VIEW



SIDE VIEW



Designed by: EPU
Date:
Checked by: PV
Date:
© COPYRIGHT ECOFLO
IF IN DOUBT ASK
DO NOT SCALE
ALL DIMS IN mm U.N.O.
AS1100



Client: ECOFLO WASTEWATER MANAGEMENT
DWG Title: CM40 GENERAL ASSEMBLY
Job No: DWG No: CM-40-G-AS

A3
SHEET 1 of 5
Rev A