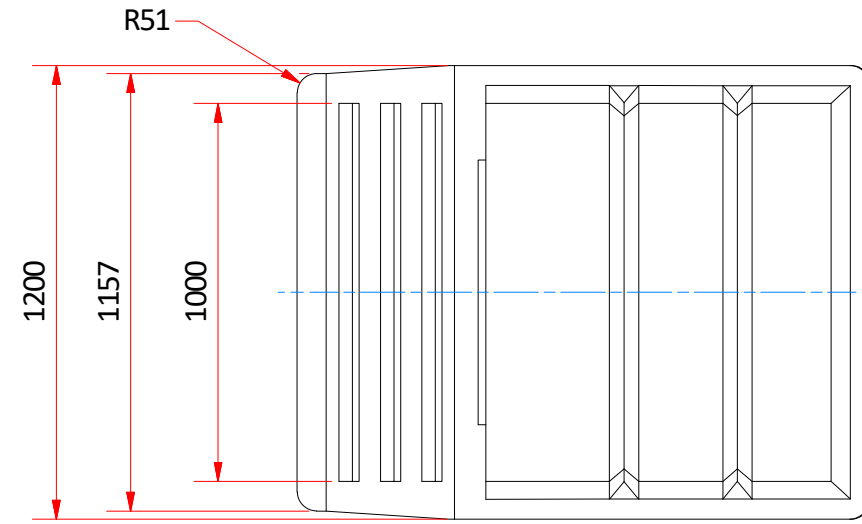
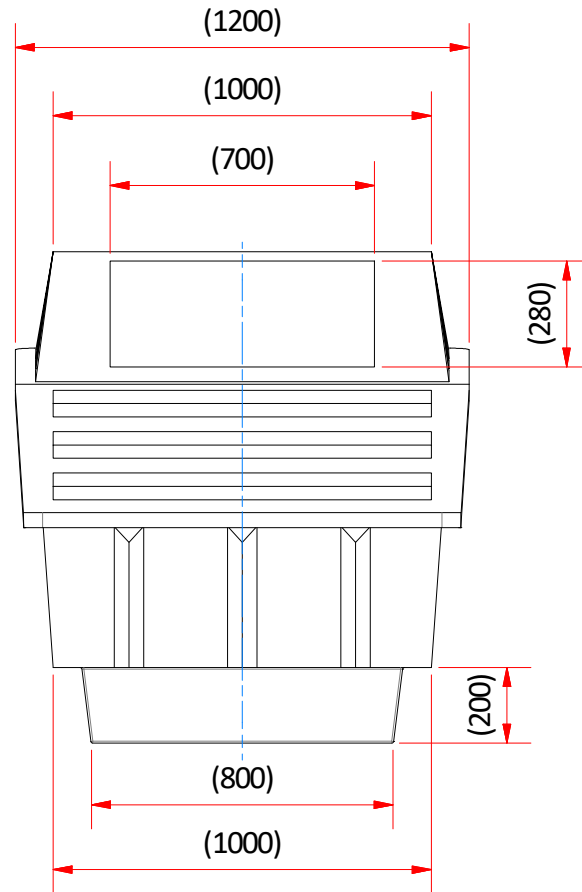
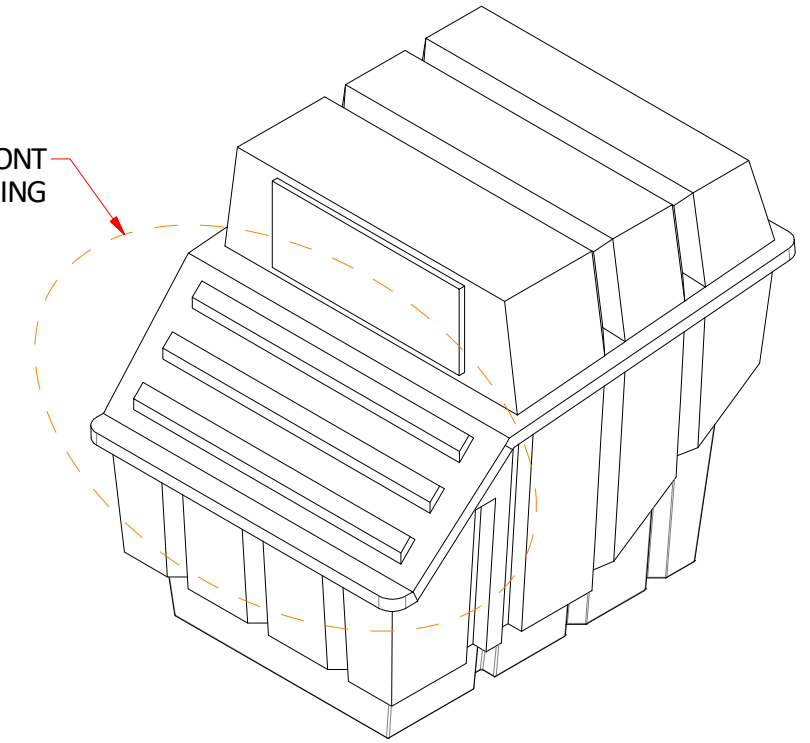


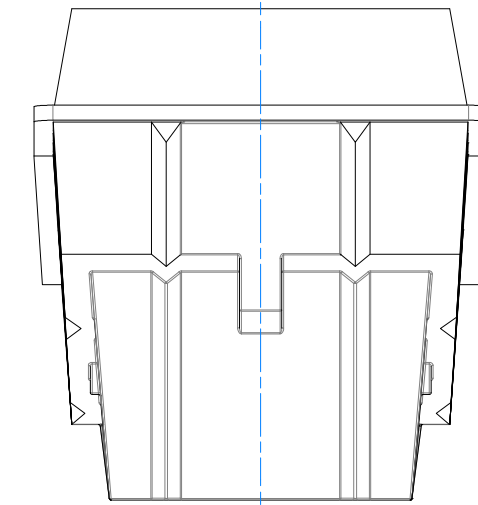
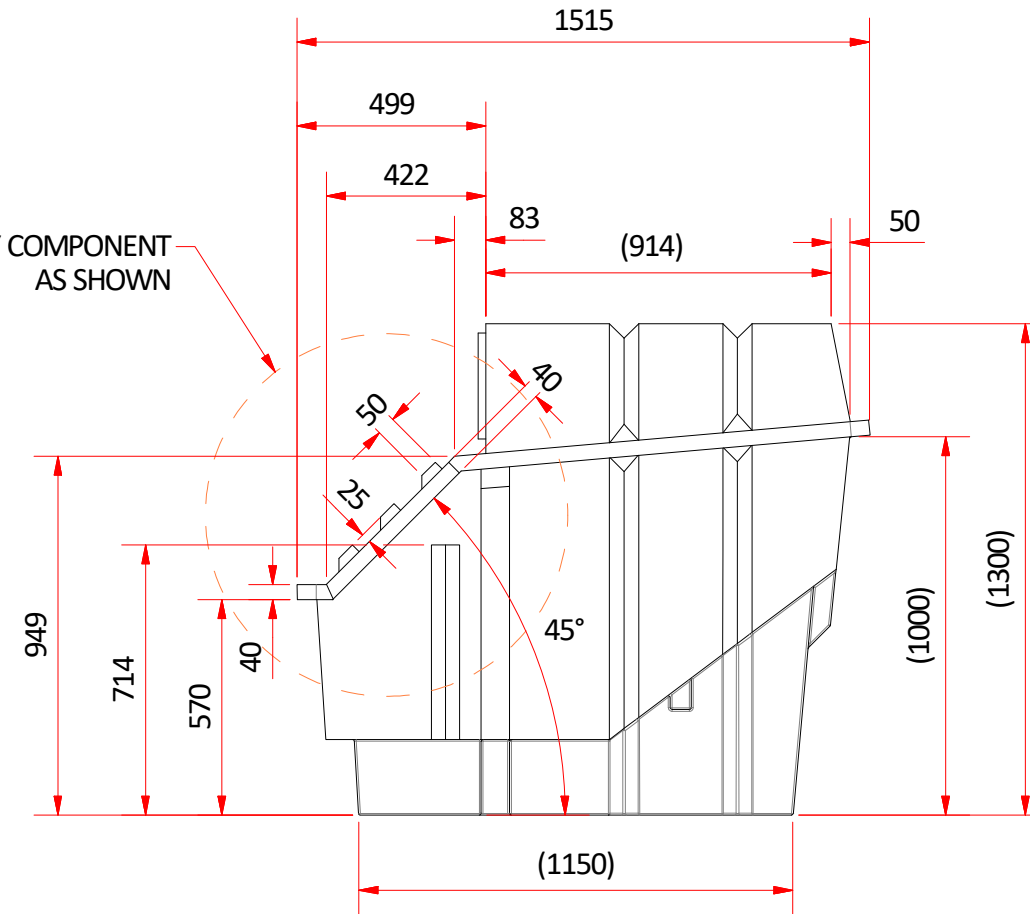
- NOTES:  
 1. MATERIAL LDPE NOMINAL 6 mm WALL THICKNESS  
 2. ALL DIMENSIONS SHOWN ARE EXTERNAL SIZES  
 3. ALL FILLETS TO BE 5-6 mm U.N.O.  
 4. THIS DRAWING SHOWS THE FINISHED COMPONENT  
 NO SHRINKAGE ALLOWANCE ADDED  
 5. ALL DIMENSIONS SHOWN IN BRACKETS ARE EXISTING



MODIFIED FRONT COVER OPENING



MODIFY COMPONENT AS SHOWN



REV	DESCRIPTION	INI.	DATE
1	FOR MANUFACTURE	IMD	10/02/2021
B	CHANGE ANGLE & RIB DEPTH	IMD	08/02/2021
A	FOR REVIEW	IMD	1/10/2020

REVISION HISTORY



Designed by	IMD	Date	1/10/2020	CLIENT:	ECOFLO WASTE WATER MANAGEMENT	A3
Checked by	PV	Date	12/02/2021	PROJECT:	CM8 LOW PROFILE TANK MODS	
Approved by	PV	Date	12/02/2021	DWG TITLE:	CM8 TANK MODIFICATIONS	Sheet 1
IF IN DOUBT ASK DO NOT SCALE AS1100				JOB No:	DRG No: 3-015-00-MODIFIED	Rev 1
ALL DIMENSIONS IN MM U.N.O.				CAD FILE: S:\projects\Neubau - Ecoflo\CM8 Tank mods_220920\3-015-00-MODIFIED COMPONENT.idw		