

# Separera *mini*



## **URINE CONTAINER**

### User Manual

# Table of Contents

---

<b>SEPARERA MINI WITH URINE CONTAINER</b>	<b>I</b>
Contacting Environmental Health	I
The Separera box	I
The installation kit	I
Wall connection kit (not included)	I
Separera Mini cross section	I
<b>INSTALLATION</b>	<b>2</b>
Tools	2
Air supply	2
Assembly	2
Option A – ventilation through external wall	2
Option B – ventilation through the roof	3
<b>MAINTENANCE</b>	<b>4</b>
Solid waste	4
Urine container	4
Electrical connection	4
General advice	4

# Separera Mini with Urine Container

This urine separating toilet is constructed from eco-friendly material and is designed to cope with high demand over many years. What does separating waste mean? Well, the toilet is designed so solid waste is separated from the liquid (urine). This means that the Separera Mini has two containers, one for urine and another for solid waste. Both must be dealt with in accordance with local regulations.

## Contacting Environmental Health

Contact Environmental Health office regarding local health regulations. This applies when installing any type of toilet.

## The Separera box

- Toilet with fan
- Lid
- Urine hose (1.5 m)
- Screw with washer for wall bracket (option A)
- Ventilation Pipe 50 cm for wall
- Insect netting
- 2 Composting containers
- Bio bags
- 125ml Nature Flush enzymes
- 750ml Spray bottle
- 12V Power adapter/transformer

## The installation kit

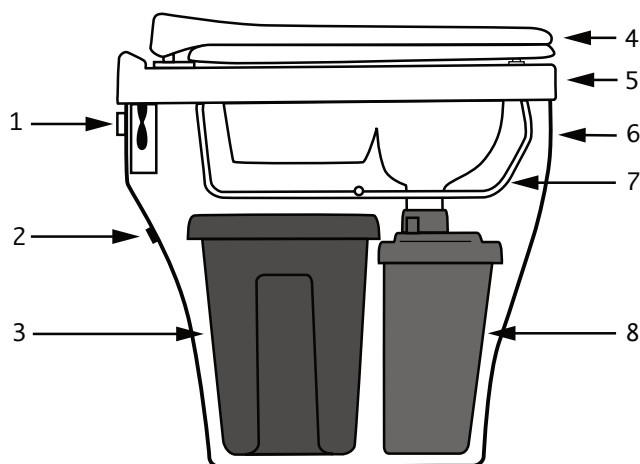
- Ventilation pipes (4x1.1 m ventilation pipe with 55 mm outer diameter)
- exterior pipe (1 x 1.1m with 110 mm outer diameter)
- insulation (2 x 1 m)
- reducing coupling, roof flashing and insect netting.
- The connection kit used in installation option B can be ordered from your dealer.

## Wall connection kit (not included)

- Wallbracket
- Pipebend 90°
- Screws/washers

## Separera Mini cross section

1. Fan motor
2. Socket for adapter/transformer
3. Solid waste container with a bag
4. Toilet seat, soft close
5. Top
6. Base
7. Chamber screen
8. Urine container



# Installation

## Tools

- Drill
- Holesaw for 55mm hole
- Silicone

## Air supply

Make sure there is a good air supply, for example, through a 10 mm gap under the door or a vent. Air will be evacuated through the toilet, cross-draughts must be avoided.

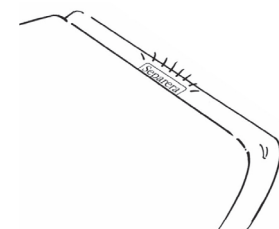
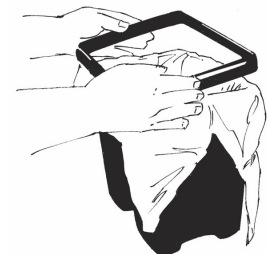
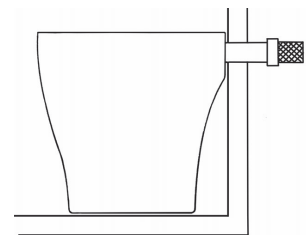
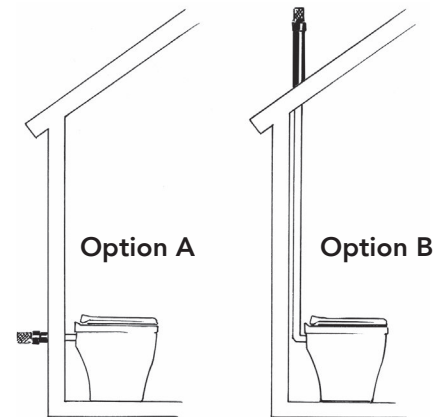
## Assembly

Ventilation can be either through an external wall or up through the roof.

### Option A – ventilation through external wall

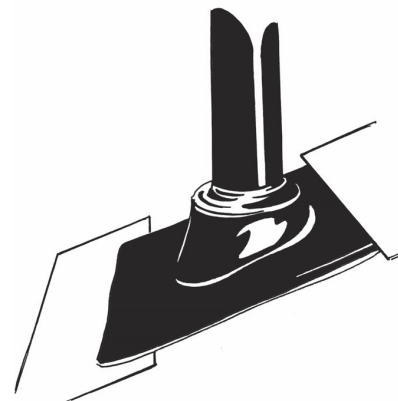
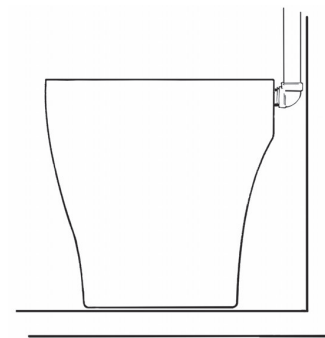
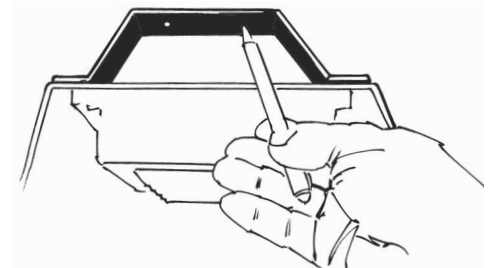
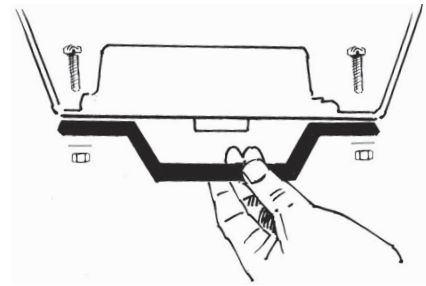
The toilet is supplied with an installation kit.

1. Lift off the upper section (5) of the toilet, remove the urine container (8) waste container (3).
2. Measure and mark for the ventilation pipe through the wall, hole centre 359 mm from the floor.
3. Make a hole in the external wall for the ventilation pipe (55 mm).
4. Set the lower section in position and mark for fastening in the wall.
5. Fit the ventilation pipe and seal in- and outside using silicone. Fit the insect netting.
6. Set the lower section in position and connect to the ventilation pipe.
7. Fasten the toilet securely to the wall using screws and washers.
8. Place a bag in the composting chamber and fold it over the edge. Put the frame in position to lock the bag. Place the container inside the lower section and make sure that the bag does not cover the fan.
9. Put the urine container in position.
10. Put the top back in place.
11. Connect to power.
12. Check that the Separera logo is turning green to confirm that the urinecontainer is in correct position.



## Option B – ventilation through the roof

1. Lift the upper section (5) of the toilet, remove the urine container (8) and waste container (3).
2. Fasten the wallbracket temporarily on the lower section (7), put the lower section in position against the wall. Mark for the bracket.
3. Remove the wallbracket from the toilet. Install the bracket on the wall.
4. Put the 90 degrees bend on the outlet.
5. Set the lower section in position and fasten it to the wallbracket.
6. Make a hole in the roof for the ventilation pipe, 55 mm.
7. Install the ventilation pipes unsleeved end into the 90 degrees coupling.
8. Insulate all piping that passes through cold spaces (e.g. in the attic and on above roof. This is to prevent condensation).
9. Cut the exterior pipe to fit the angle of the roof.
10. Position the roof flashing. For tin roof, its better to have a sheetmetal worker to make the flashing.
11. Put the outer pipe with the roof flashing over the insulated ventilation pipe.
12. Adjust the roof flashing to the external roof and seal firmly with silicone sealant between the flashing and the roof.
13. Once all the piping is insulated and covered, fit the reducing coupling on top, and then fit the insect netting.
14. Place a bag in the composting chamber and fold it over the edge. Put the frame in position to lock the bag. Place the container inside the base and make sure that the bag does not cover the fan.
15. Put the top back in place.
16. Connect to power.
17. Check that the Separera logo is green to confirm that the urinecontainer is in correct position.



# Maintenance

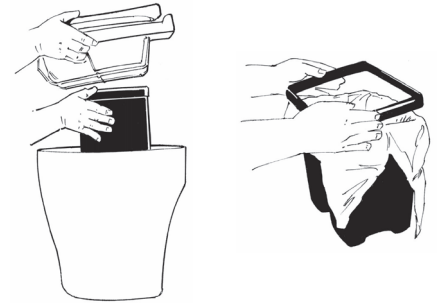
---

## Solid waste

With normal use, a family of four produces around 7 litres of solid waste per week. The emptying frequency depends on usage. For example, after 2-3 weeks use by 4 people it will be time to switch composting chambers.

Simply remove the top, tie up the bag, remove and replace it with a new bag.

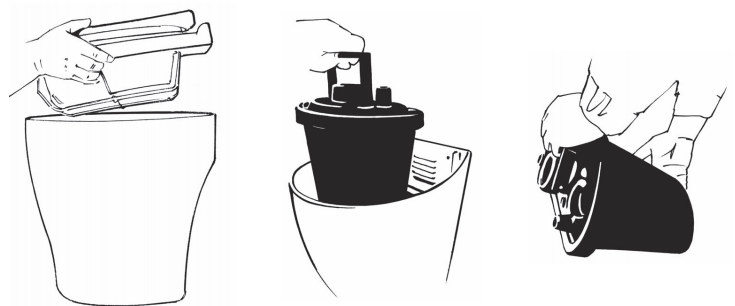
If you would like to compost the waste and use as a fertiliser, we recommend emptying the waste into a separate external chamber, adding a little bulking agent, and setting it aside in a shady place to complete composting (this make take around 6 months, depending on conditions).



## Urine container

When the urine container is full the lamp will change from green to red.

1. Disconnect the power
2. Lift the top (5) of the toilet
3. Lift the urine container (8)
4. Empty
5. Rinse the container with hot water
6. Return container and connect to power: Check that the Separera logo is green to confirm that the urine-container is in correct position.



## Electrical connection

Separera is approved for installation in wet rooms.

## General advice

- If insects get into the toilet, refer to our information on dealing with insects that can be found in the troubleshooting section of our website ([ecoflo.com.au/resources/troubleshooting](https://ecoflo.com.au/resources/troubleshooting)).
- To clean the toilet, use only enzymes. Never use abrasive chemical cleaning agents.
- If the toilet is installed as option B and you leave the house for more than 2 days, switch off the fan and put the cover in the toilet opening. If there is a good natural draft no odour will occur.
- Empty the solid waste regularly, the bags start to decompose after 2-3 week.
- If you do experience a bad odour in the room, check the pipe connections are properly sealed and if there is an adequate air supply.



PH 1300 138 182

[info@ecoflo.com.au](mailto:info@ecoflo.com.au)

[ecoflo.com.au](http://ecoflo.com.au)

[ecolet.com.au](http://ecolet.com.au)

