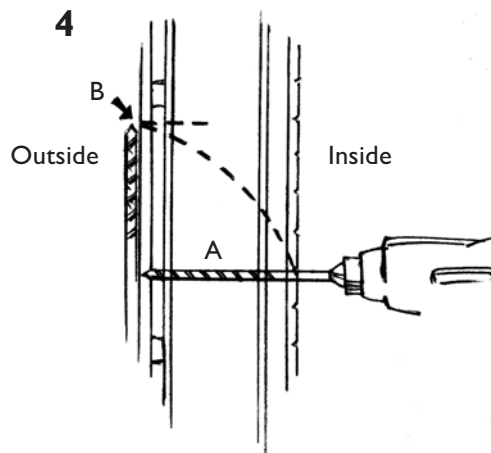


Wall-kit assembly



1. Place the toilet against the wall.
2. Measure where the hole through the wall should be.
3. Drill right through the wall with a thin "signal" bit 4-6 mm. Check that there is no electricity or plumbing in the wall.
4. Use a bit to measure the thickness of the wall (A), take this measure and go up from the hole in the wallboard (B). This is where the outside hole will be.
5. Make holes in the inner wall with a jigsaw or hole saw, approx 70mm.
6. Make hole in the outer wall (at pos B), approx 100 mm.
7. Place the toilet temporarily. Take the cover plate by the elbow and put it in place, so that the bend will get into the wall.
8. Install the outer wall seal temporary. One needs to adjust the width dimension of the plate to fit the boards of the house. It must be done at this moment.



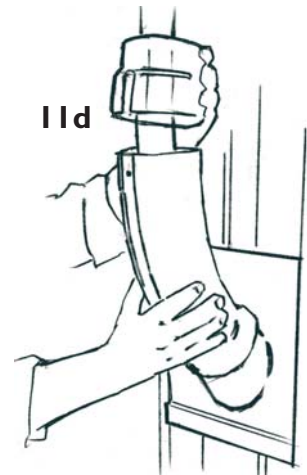
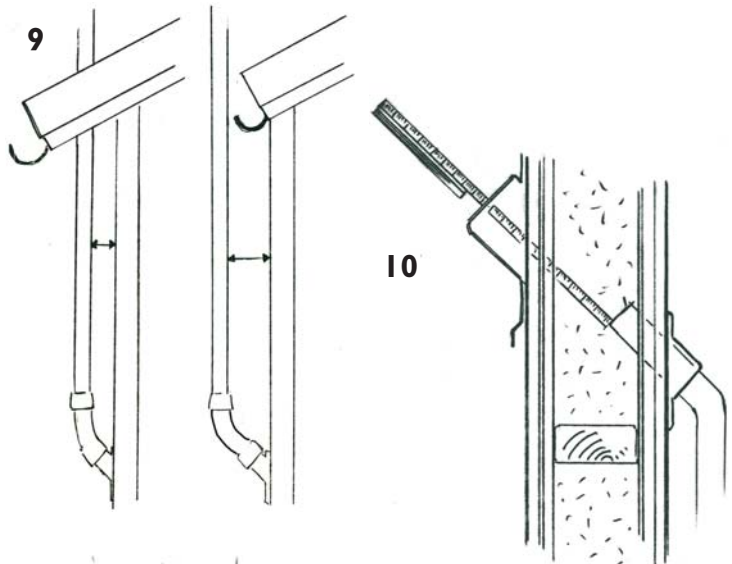
7



8



9. Measure how far from the wall you need to be.
10. Measure from the edge of the wall seal and elbow on the inside through the wall, in order to adjust lengths of pipe on both inner pipe and cover pipe to the outer elbow.
11. Assemble the bend; at the inside a short pipe (if necessary) and outer elbow, check the dimensions with the outer wall of the seal, which may cover pipe and 110 mm bend. Also check that the pipe insulation will fit from the outside into the wall.
12. Take apart and glue 55mm pipe bends in the re-assembly (11b).
13. Insulate the vent pipe (11c).
14. Seal with asphalt mastic or soft sealant and duct tape between wallboard and insulation.
15. Fit the outer wall sealing. Seal with elastic sealants between the cover plate and wall (11d).
16. Fit the remaining pipe. Continue to insulate mount the cover pipe.
17. Fix the pipes in the eaves or projections with brackets, unless you go through the roof.
18. Finish at least one meter above the roof and preferably 50 cm above the ridge.



MullToa
ORIGINALET!